

TDK LAN Components

TLA Series(Lead free)

LAN COMPONENTS

TLA SERIES(Lead free)

Contents	Page
----------	------

Pulse Transformers

TLA-3T101LF(-T) 10BASE-2/5/T	2
TLA-3T108LF(-T) 10BASE-2/5/T	2
TLA-3T106LF(-T) 10BASE-T	4
TLA-3T107LF(-T) 10BASE-T	4
TLA-3T105LF(-T) 10BASE-T	6
TLA-3T109LF(-T) 10BASE-T	6
TLA-3T110LF(-T) 10BASE-T	6
TLA-3T112LF(-T) 10BASE-T	6
TLA-6T103LF(-T) 10/100BASE-TX.....	8
TLA-6T118LF(-T) 10/100BASE-TX.....	10
TLA-6T119LF(-T) 10/100BASE-TX.....	10
TLA-6T120LF(-T) 10/100BASE-TX.....	10
TLA-6T121LF(-T) 10/100BASE-TX.....	10
TLA-6T122LF(-T) 10/100BASE-TX.....	10
TLA-6T127LF(-T) 10/100BASE-TX, VoIP	12
TLA-6T207C(-T) 10/100BASE-TX.....	14
TLA-6T211A(-T) 10/100/1000BASE-T	16
TLA-6T404(-T) 10/100BASE-TX.....	18
TLA-6T406(-T) 10/100BASE-TX.....	20

Pulse Transformer, Connector Type

TLA-6T704 10/100BASE-TX.....	22
------------------------------	----

LC Modules

TLA-3M103LF(-T) 10BASE-T.....	24
TLA-3M601-RS 10BASE-T	26
TLA-6M102LF(-T) ATM25	27
TLA-6M103LF(-T) ATM25	29

Precautions

The TDK products in this data are intended for usage in general electronics applications (computer, personal equipment, office equipment, measuring equipment, industrial robotics, domestic appliances, etc.).

They are neither intend nor warranted for usage in equipment that requires extraordinarily high quality and/or reliability or a malfunction or failure of which may cause loss of human life or bodily injury (atomic energy control instruments, airplane or spaceship instruments, transportation instrument, traffic signal instruments, combustion control instrument, medical instruments, all types of safety devices, etc.).

LAN Components TLA Series

PULSE TRANSFORMERS

TLA-3T101LF(-T)/108LF(-T) ISO8802.3(IEEE802.3) 10BASE2/5/-T

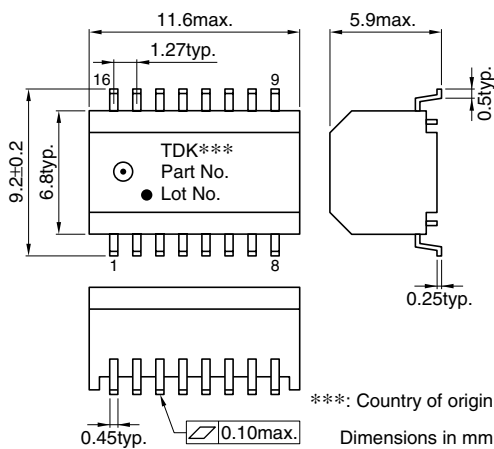
FEATURES

- Lead free product.
- Can be mounted with lead-free solder (250°C max.).
- 16-pin SOP package(1.27mm=50mil pin pitch).
- AC.1500V withstanding voltage.
- Using the high-quality and wide-band ferrite cores for LAN.
- Tape and reel packaging are available(TLA-3T10□LF-T: Tape and reel, TLA-3T10□LF: Bulk).

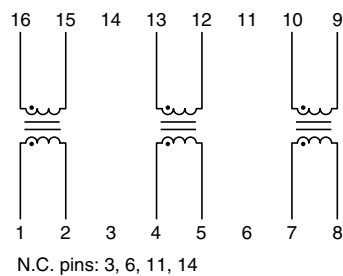
GENERAL SPECIFICATIONS

Pulse transformer	3	
Port	1	
Temperature ranges	Operating	0 to +70°C
	Storage	-40 to +85°C
Withstanding voltage	Erms:1500V[60s]	

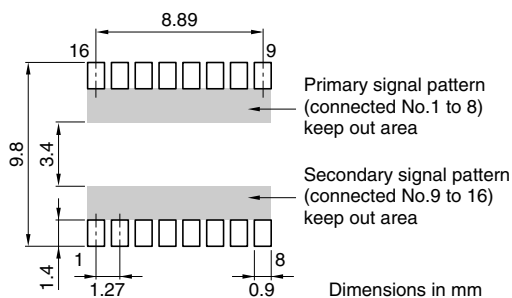
SHAPES AND DIMENSIONS



CIRCUIT DIAGRAM



RECOMMENDED PC BOARD PATTERN



ELECTRICAL CHARACTERISTICS

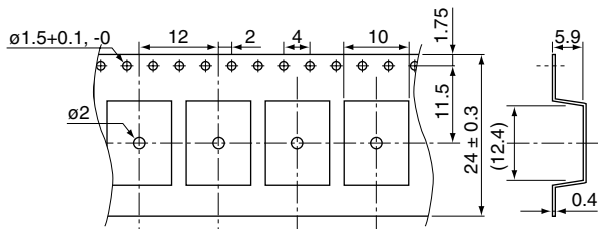
Part No.	Turns ratio	Inductance (μ H)typ.[100kHz]	Leakage inductance (μ H)max.[100kHz]	Inter-winding stray capacitance (pF)max.[100kHz]	DC resistance (Ω)max.
	1,2:16,15	1-2	1-2[16-15 shorted]	1,2-16,15	1-2,16-15
	4,5:13,12	4-5	4-5[13-12 shorted]	4,5-13,12	4-5,13-12
	7,8:10,9	7-8	7-8[10-9 shorted]	7,8-10,9	7-8,10-9
TLA-3T101LF(-T)	1:1	100	0.25	10	0.35, 0.35
TLA-3T108LF(-T)	1:1	75	0.25	10	0.35, 0.35

- $T_a=25^\circ\text{C}$

PACKAGING STYLES

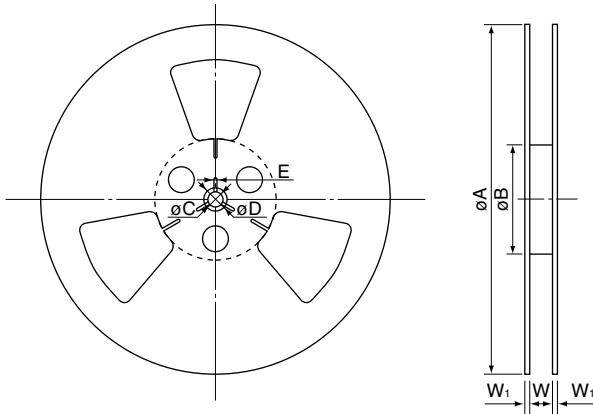
Quantity : 1000pieces/reel

TAPE DIMENSIONS



Dimensions in mm

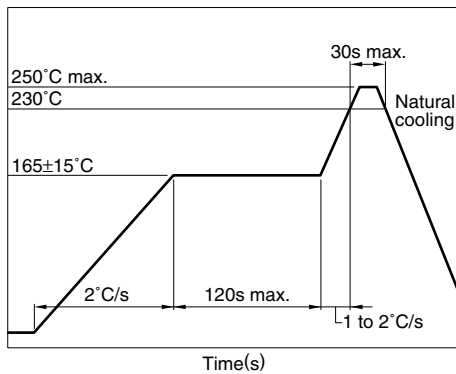
REEL DIMENSIONS



Dimensions in mm

A	B	C	D	E	W	W ₁
$\phi 330+0, -2$	$\phi 80 \pm 1$	$\phi 13 \pm 0.2$	$\phi 21 \pm 0.8$	2 ± 0.5	$24.4+2, -0$	2

RECOMMENDED SOLDERING CONDITION REFLOW SOLDERING



- Temperature is measured at the terminal portion of product (Using thermocoupler for measurement).
- This profile is reference data we recommend. Please check in your actual process.
- For reliable soldering, the thickness of solder paste screen should be over the terminal co-planality.
- The cutted end of terminal has no plating(out of subject of solder ability).

RECOMMENDED CONDITION FOR LONG TERM STORE

Recommended shelf life is 1year in atmosphere of +5 to +30°C and below 60(%)R.H.

TLA-3T106LF(-T)/107LF(-T) ISO8802.3(IEEE802.3) 10BASE-T

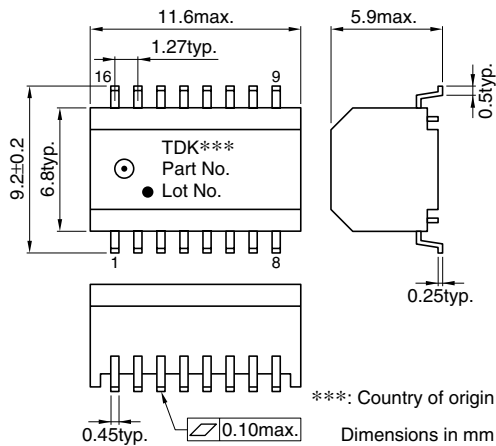
FEATURES

- Lead free product.
- Can be mounted with lead-free solder (250°C max.).
- 16-pin SOP package(1.27mm=50mil pin pitch).
- AC.1500V withstanding voltage.
- Using the high-quality and wide-band ferrite cores for LAN.
- Tape and reel packaging are available(TLA-3T10 □LF-T: Tape and reel, TLA-3T10 □LF: Bulk).

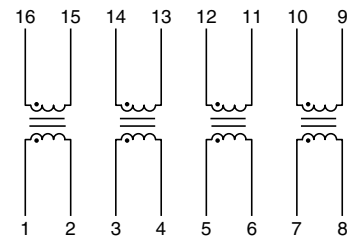
GENERAL SPECIFICATIONS

Pulse transformer		4
Port		4
Temperature ranges	Operating	0 to +70°C
	Storage	-40 to +85°C
Withstanding voltage		Erms: 1500V[60s]

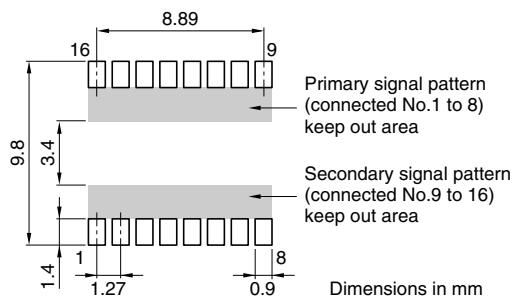
SHAPES AND DIMENSIONS



CIRCUIT DIAGRAM



RECOMMENDED PC BOARD PATTERN



ELECTRICAL CHARACTERISTICS

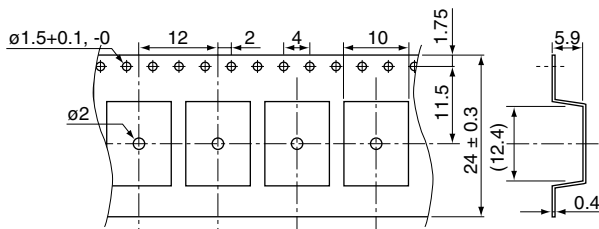
Part No.	Turns ratio	Inductance (μH)min.[100kHz]	Leakage inductance (μH)max.[100kHz]	Inter-winding stray capacitance (pF)max.[100kHz]	DC resistance (Ω)max.
	1,2:16,15	1-2	1-2[16-15 shorted]	1,2-16,15	1-2, 16-15
	3,4:14,13	3-4	3-4[14-13 shorted]	3,4-14,13	3-4, 14-13
	5,6:12,11	5-6	5-6[12-11 shorted]	5,6-12,11	5-6, 12-11
	7,8:10,9	7-8	7-8[10-9 shorted]	7,8-10,9	7-8, 10-9
TLA-3T106LF(-T)	1:1	130	0.3	12	0.4, 0.4
TLA-3T107LF(-T)	1:1.41	130	0.3	12	0.4, 0.5

- $T_a=25^\circ\text{C}$

PACKAGING STYLES

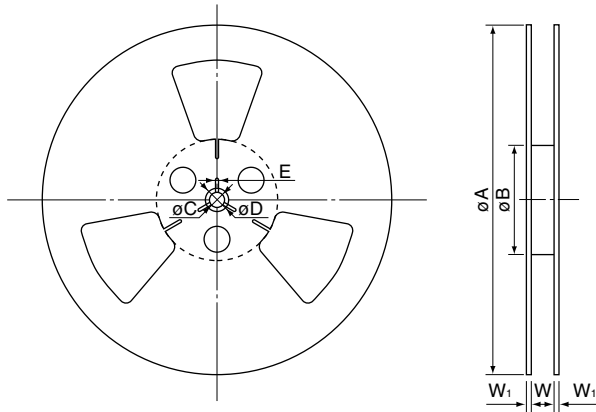
Quantity : 1000pieces/reel

TAPE DIMENSIONS



Dimensions in mm

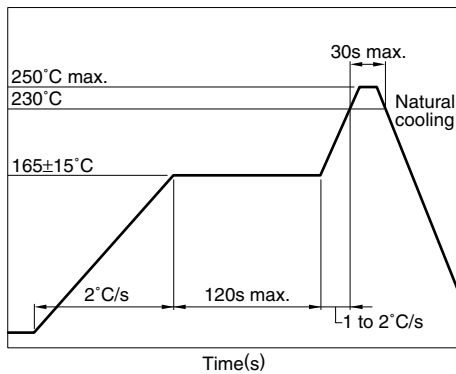
REEL DIMENSIONS



Dimensions in mm

A	B	C	D	E	W	W ₁
$\phi 330+0, -2$	$\phi 80 \pm 1$	$\phi 13 \pm 0.2$	$\phi 21 \pm 0.8$	2 ± 0.5	$24.4+2, -0$	2

RECOMMENDED SOLDERING CONDITION REFLOW SOLDERING



- Temperature is measured at the terminal portion of product (Using thermocoupler for measurement).
- This profile is reference data we recommend. Please check in your actual process.
- For reliable soldering, the thickness of solder paste screen should be over the terminal co-planality.
- The cutted end of terminal has no plating(out of subject of solder ability).

RECOMMENDED CONDITION FOR LONG TERM STORE

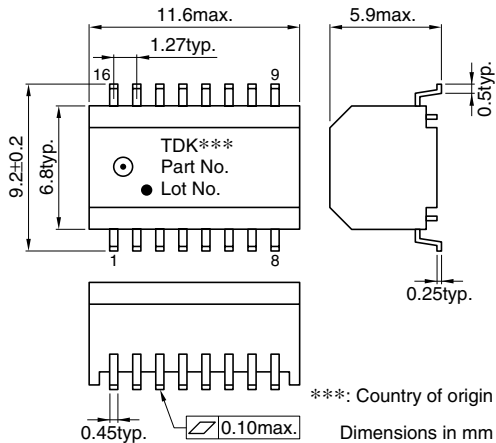
Recommended shelf life is 1year in atmosphere of +5 to +30°C and below 60(%)R.H.

TLA-3T105LF(-T)/109LF(-T)/110LF(-T)/112LF(-T) ISO8802.3(IEEE802.3) 10BASE-T

FEATURES

- Lead free product.
- Can be mounted with lead-free solder (250°C max.).
- 16-pin SOP package(1.27mm=50mil pin pitch).
- AC.1500V withstanding voltage.
- Using the high-quality and wide-band ferrite cores for LAN.
- Tape and reel packaging are available(TLA-3T1 □□LF-T: Tape and reel, TLA-3T1 □□LF: Bulk).

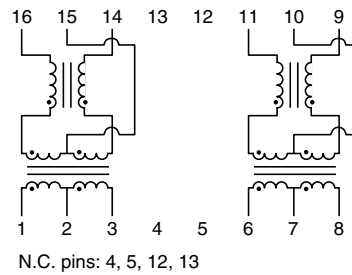
SHAPES AND DIMENSIONS



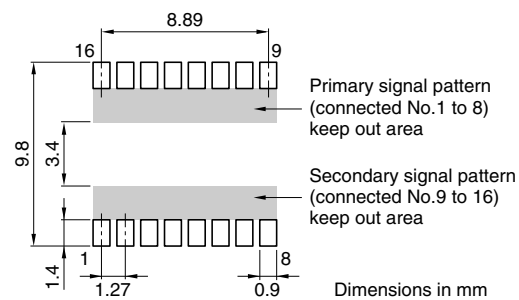
GENERAL SPECIFICATIONS

Pulse transformer	2	
Common-mode choke	2	
Port	1	
Temperature ranges	Operating	0 to +70°C
	Storage	-40 to +85°C
Withstanding voltage	Erms: 1500V[60s]	

CIRCUIT DIAGRAM



RECOMMENDED PC BOARD PATTERN



ELECTRICAL CHARACTERISTICS

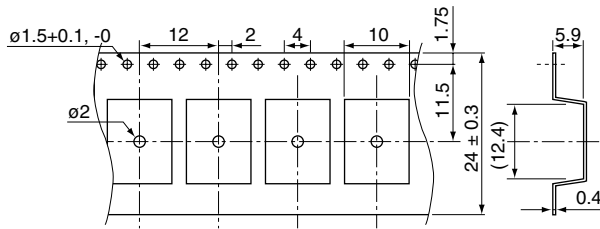
Part No.	Turns ratio	Inductance (μH)min.[100kHz]	Leakage inductance (μH)max.[100kHz]	Inter-winding stray capacitance (pF)max.[100kHz]	DC resistance (Ω)max.
	1,2,3:16,15,14 6,7,8:11,10,9	1-3 6-8	1-3[16-14 shorted] 6-8[11-9 shorted]	1,3-16,14 6,8-11,9	1-3 6-8
TLA-3T105LF(-T)	1CT:1CT	130	0.3	12	0.5
TLA-3T109LF(-T)	2CT:1CT 1CT:1CT	130 130	0.95 0.35	12 12	0.5 0.5
TLA-3T110LF(-T)	1CT:1CT 1CT:1.41CT	130 130	0.35 0.35	12 12	0.5 0.5
TLA-3T112LF(-T)	1CT:1CT 1CT:2.5CT	130 130	0.35 0.35	12 12	0.85 0.85

- $T_a=25^\circ\text{C}$

PACKAGING STYLES

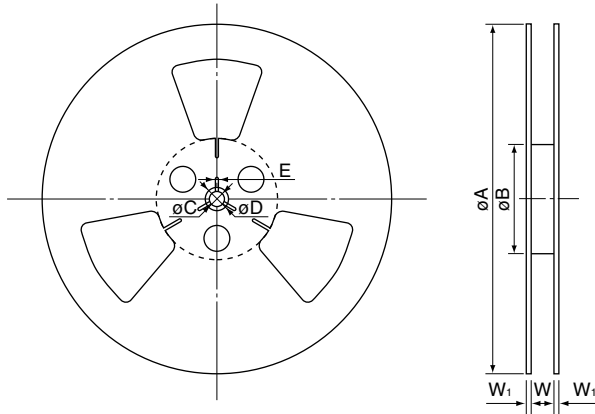
Quantity : 1000pieces/reel

TAPE DIMENSIONS



Dimensions in mm

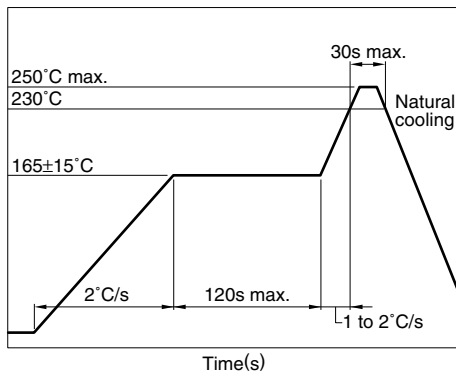
REEL DIMENSIONS



Dimensions in mm

A	B	C	D	E	W	W ₁
$\phi 330+0, -2$	$\phi 80\pm 1$	$\phi 13\pm 0.2$	$\phi 21\pm 0.8$	2 ± 0.5	$24.4+2, -0$	2

RECOMMENDED SOLDERING CONDITION REFLOW SOLDERING



- Temperature is measured at the terminal portion of product (Using thermocoupler for measurement).
- This profile is reference data we recommend. Please check in your actual process.
- For reliable soldering, the thickness of solder paste screen should be over the terminal co-planality.
- The cutted end of terminal has no plating(out of subject of solder ability).

RECOMMENDED CONDITION FOR LONG TERM STORE

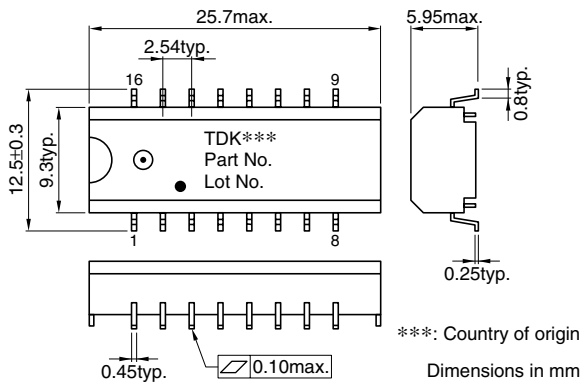
Recommended shelf life is 1year in atmosphere of +5 to +30°C and below 60(%)R.H.

TLA-6T103LF(-T) TPDDI, 10/100BASE-TX & ATM

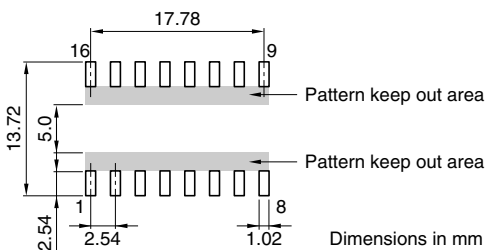
FEATURES

- Lead free product.
- Can be mounted with lead-free solder (250°C max.).
- 16-pin SOP package(2.54mm=100mil pin pitch).
- Excellent common-mode noise suppression.
- The inductance is 350 μ H(100kHz) or greater at a DC bias of 8mA.
- Using the high-quality and wide-band ferrite cores for LAN.
- Tape and reel packaging are available(TLA-6T103LF-T: Tape and reel, TLA-6T103LF: Bulk).

SHAPES AND DIMENSIONS



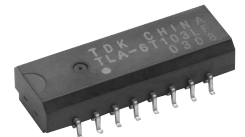
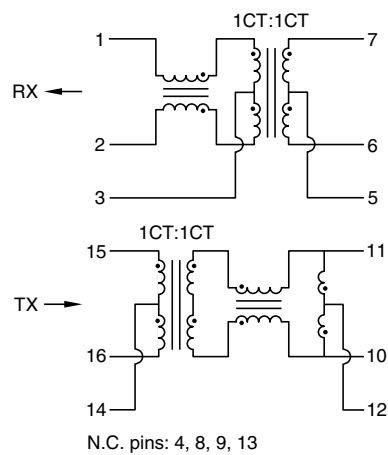
RECOMMENDED PC BOARD PATTERN



GENERAL SPECIFICATIONS

Pulse transformer		2
Common-mode choke		2
Inductor		1
Port		1
Temperature ranges	Operating	0 to +70°C
	Storage	-40 to +85°C
Withstanding voltage		Erms:1500V[60s]

CIRCUIT DIAGRAM



ELECTRICAL CHARACTERISTICS

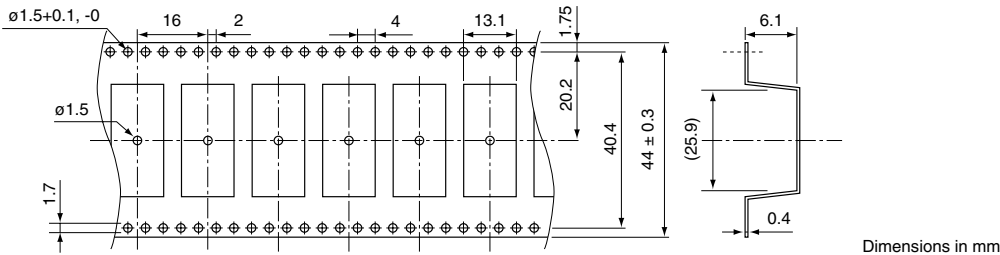
Part No.	Turns ratio	Inductance (μ H)min. [DC bias 8mA, 100kHz]	Insertion loss (dB)max. [0.1 to 100MHz]	Inter-winding stray capacitance (pF)max.[100kHz]
	15,14,16 : 11,12,10 1,3,2 : 7,5,6	11-10 7-6	15,16-11,10 7,6-1,2	15,16-11,10 1,2-7,6
TLA-6T103LF(-T)	1CT:1CT 1CT:1CT	350 350	1 1	25 25

- Ta=25°C

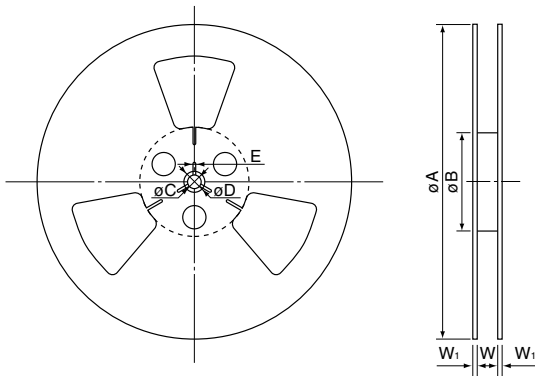
PACKAGING STYLES

Quantity : 600pieces/reel

TAPE DIMENSIONS



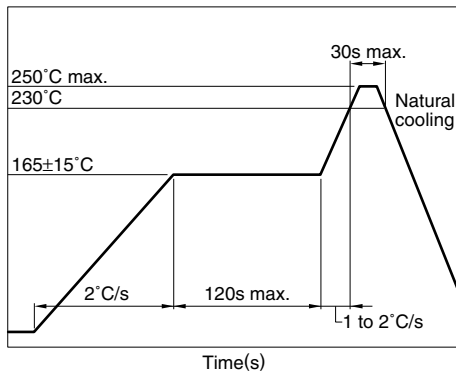
REEL DIMENSIONS



Dimensions in mm

A	B	C	D	E	W	W ₁
$\phi 330+0, -2$	$\phi 100 \pm 1$	$\phi 13 \pm 0.2$	$\phi 21 \pm 0.8$	2 ± 0.5	$44.4+2, -0$	2

RECOMMENDED SOLDERING CONDITION REFLOW SOLDERING



- Temperature is measured at the terminal portion of product (Using thermocoupler for measurement).
- This profile is reference data we recommend. Please check in your actual process.
- For reliable soldering, the thickness of solder paste screen should be over the terminal co-planality.
- The cutted end of terminal has no plating(out of subject of solder ability).

RECOMMENDED CONDITION FOR LONG TERM STORE

Recommended shelf life is 1year in atmosphere of +5 to +30°C and below 60(%)R.H.

TLA-6T118LF/119LF/120LF/121LF/122LF(-) 10/100BASE-TX

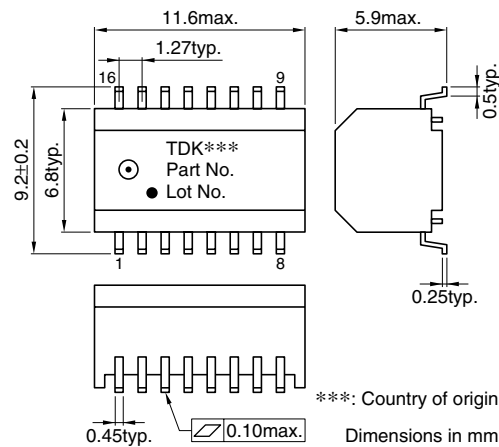
FEATURES

- Lead free product.
- Can be mounted with lead-free solder (250°C max.).
- 16-pin SOP package(1.27mm=50mil pin pitch).
- The inductance is 350 μ H(100kHz) or greater at a DC bias of 8mA.
- Excellent common mode noise suppression.
- Using the high-quality and wide-band ferrite cores for LAN.
- Tape and reel packaging are available(TLA-6T1 □□LF-T: Tape and reel, TLA-6T1 □□LF: Bulk).

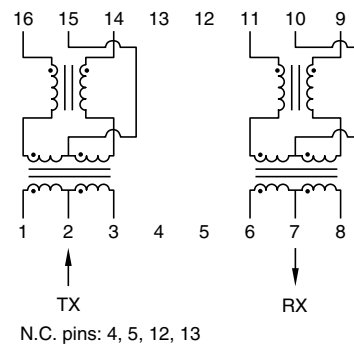
GENERAL SPECIFICATIONS

Pulse transformer	2	
Common-mode choke	2	
Port	1	
Temperature ranges	Operating	0 to +70°C
	Storage	-40 to +85°C
Withstanding voltage	Erms:1500V[60s]	

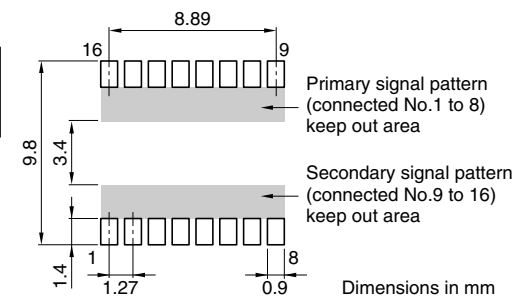
SHAPES AND DIMENSIONS



CIRCUIT DIAGRAM



RECOMMENDED PC BOARD PATTERN



ELECTRICAL CHARACTERISTICS

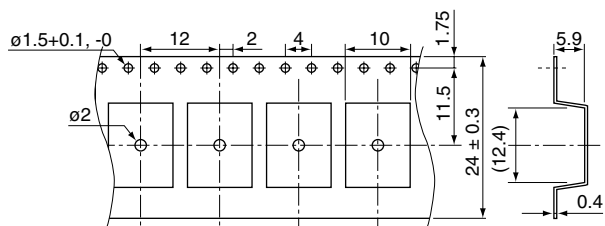
Part No.	Turns ratio	Inductance (μ H)min. [DC bias 8mA, 100kHz]	Insertion loss (dB)max. [0.1 to 100MHz]	Inter-winding stray capacitance (pF)max.[100kHz]
	1,2,3 : 16,15,14 6,7,8 : 11,10,9	16-14 11-9	1,3-16,14 11,9-6,8	1,3-16,14 6,8-11,9
TLA-6T118LF(-T)	1CT:1CT	350	1	25
TLA-6T119LF(-T)	1.41CT:1CT	350	2	25
TLA-6T120LF(-T)	2CT:1CT	350	3.5	25
TLA-6T121LF(-T)	1CT:1CT	350	1	25
TLA-6T122LF(-T)	1CT:1.41CT	350	2.5	25
	1CT:1CT	350	1	25
	1.25CT:1CT	350	2	25
	1CT:1CT	350	1	25

- Ta=25°C

PACKAGING STYLES

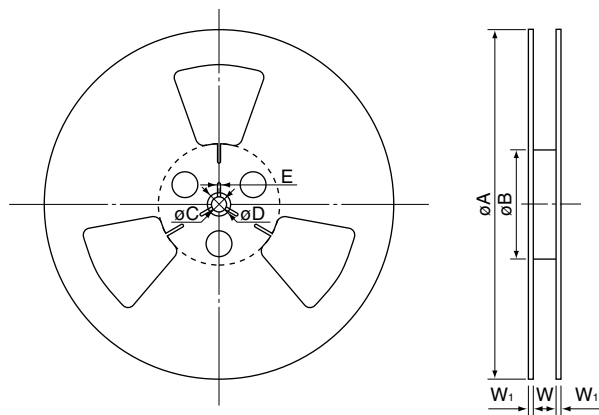
Quantity : 1000pieces/reel

TAPE DIMENSIONS



Dimensions in mm

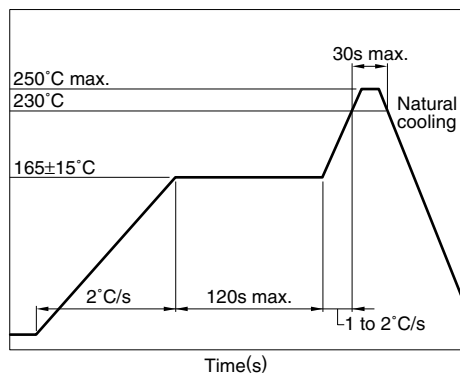
REEL DIMENSIONS



Dimensions in mm

A	B	C	D	E	W	W ₁
$\phi 330+0, -2$	$\phi 80 \pm 1$	$\phi 13 \pm 0.2$	$\phi 21 \pm 0.8$	2 ± 0.5	$24.4+2, -0$	2

**RECOMMENDED SOLDERING CONDITION
REFLOW SOLDERING**



- Temperature is measured at the terminal portion of product (Using thermocoupler for measurement).
- This profile is reference data we recommend. Please check in your actual process.
- For reliable soldering, the thickness of solder paste screen should be over the terminal co-planality.
- The cutted end of terminal has no plating(out of subject of solder ability).

RECOMMENDED CONDITION FOR LONG TERM STORE

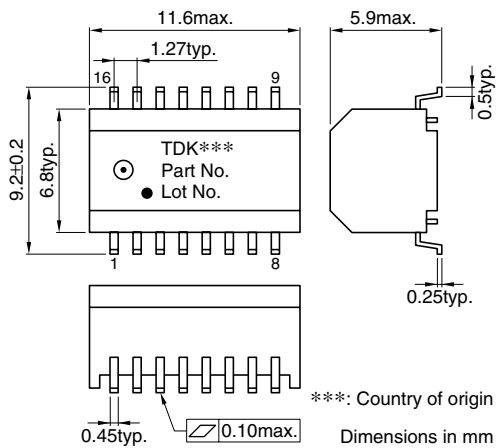
Recommended shelf life is 1year in atmosphere of +5 to +30°C and below 60(%)R.H.

TLA-6T127LF(-T) 10/100BASE-TX, VOICE OVER IP

FEATURES

- Lead free product.
- Can be mounted with lead-free solder (250°C max.).
- 16-pin SOP package(1.27mm=50mil pin pitch).
- The inductance is 350 μ H(100kHz) or greater at a DC bias of 8mA.
- 350mA current capability.
- Common mode choke function is available under the power transmission.
- Tape and reel packaging are available(TLA-6T127LF-T: Tape and reel, TLA-6T127LF: Bulk).

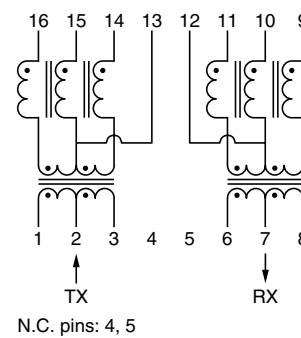
SHAPES AND DIMENSIONS



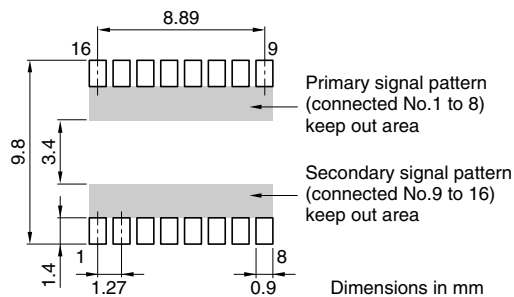
GENERAL SPECIFICATIONS

Pulse transformer		2
Common-mode choke		2
Port		1
Temperature ranges	Operating	0 to +70°C
	Storage	-40 to +85°C
Withstanding voltage		Erms:1500V[60s]

CIRCUIT DIAGRAM



RECOMMENDED PC BOARD PATTERN



ELECTRICAL CHARACTERISTICS

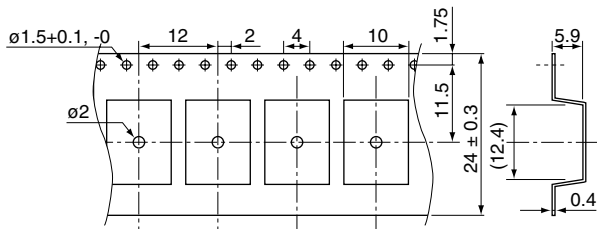
Part No.	Turns ratio	Inductance (μ H)min. [DC bias 8mA, 100kHz]	Insertion loss (dB)max. [0.1 to 100MHz]	Inter-winding stray capacitance (pF)max.[100kHz]
	1,2,3 : 16,15,14 6,7,8 : 11,10,9	16-14 11-9	1,3-16,14 11,9-6,8	1,3-16,14 6,8-11,9
TLA-6T127LF(-T)	1CT:1CT 1CT:1CT	350 350	1 1	25 25

- Ta=25°C

PACKAGING STYLES

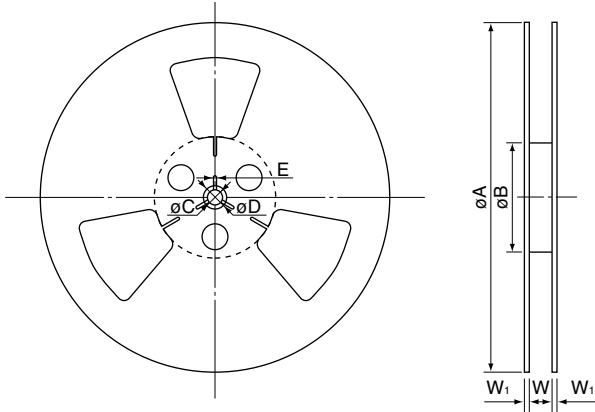
Quantity : 1000pieces/reel

TAPE DIMENSIONS



Dimensions in mm

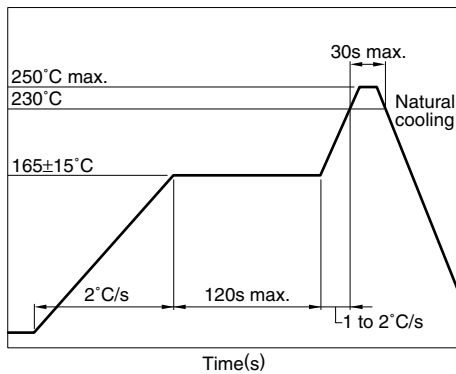
REEL DIMENSIONS



Dimensions in mm

A	B	C	D	E	W	W ₁
$\phi 330+0, -2$	$\phi 80 \pm 1$	$\phi 13 \pm 0.2$	$\phi 21 \pm 0.8$	2 ± 0.5	$24.4+2, -0$	2

RECOMMENDED SOLDERING CONDITION REFLOW SOLDERING



- Temperature is measured at the terminal portion of product (Using thermocoupler for measurement).
- This profile is reference data we recommend. Please check in your actual process.
- For reliable soldering, the thickness of solder paste screen should be over the terminal co-planality.
- The cutted end of terminal has no plating(out of subject of solder ability).

RECOMMENDED CONDITION FOR LONG TERM STORE

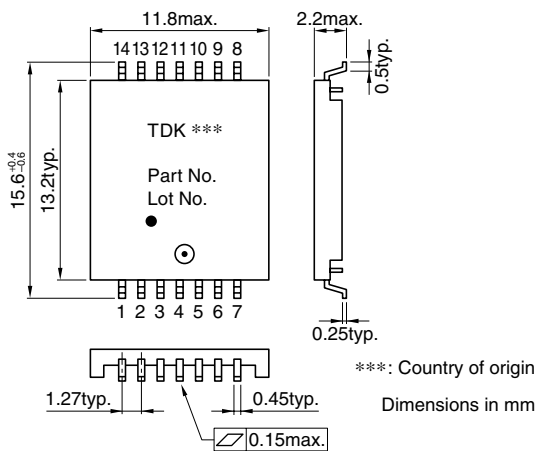
Recommended shelf life is 1year in atmosphere of +5 to +30°C and below 60(%)R.H.

TLA-6T207C(-T) 10/100BASE-TX

FEATURES

- Lead free product.
- Can be mounted with lead-free solder (250°C max.).
- 14-pin(1.27mm pitch) SMT package.
- Low profile (H)2.2mm max. for note PC application.
- 2 pulse transformers and 2 common-mode chokes are integrated into 14-pin SMD package.
- The inductance is 350 μ H(100kHz) or greater at a DC bias of 8mA.
- Tape and reel packaging are available(TLA-6T207C-T: Tape and reel, TLA-6T207C: Bulk).

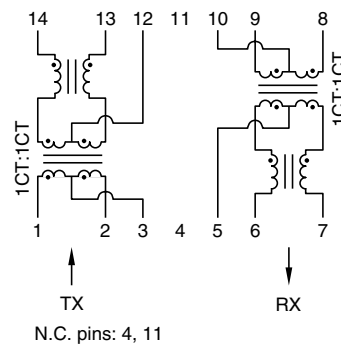
SHAPES AND DIMENSIONS



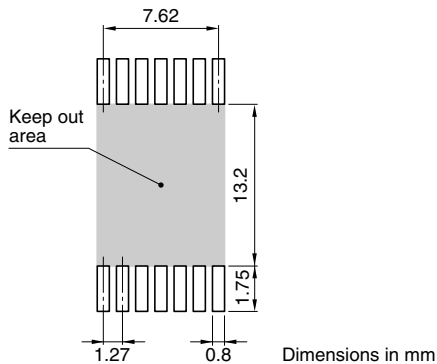
GENERAL SPECIFICATIONS

Pulse transformer		2
Common-mode choke		2
Port		1
Temperature ranges	Operating	0 to +70°C
	Storage	-40 to +85°C
Withstanding voltage		Erms:1500V[60s]

CIRCUIT DIAGRAM



RECOMMENDED PC BOARD PATTERN



ELECTRICAL CHARACTERISTICS

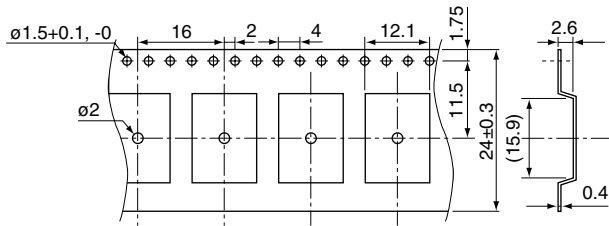
Part No.	Turns ratio	Inductance (μ H)min. [DC bias 8mA, 100kHz]	Insertion loss (dB)max. [0.1 to 100MHz]	Inter-winding stray capacitance (pF)max.[100kHz]
	1,3,2:14,12,13 6,5,7:9,10,8	14-13 9-8	1,2-14,13 9,8-6,7	1,2-14,13 6,7-9,8
TLA-6T207C(-T)	1CT:1CT	350	1	25
	1CT:1CT	350	1	25

- Ta=25°C

PACKAGING STYLES

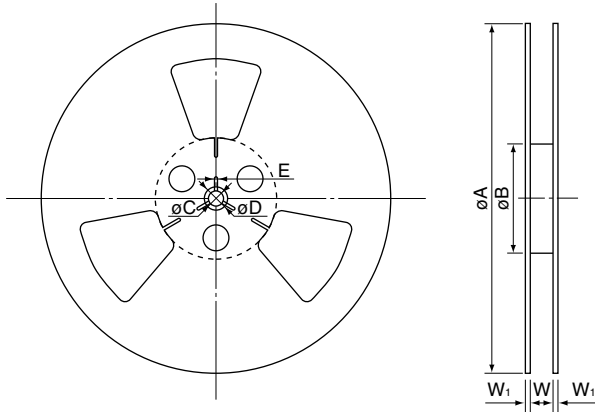
Quantity : 1500pieces/reel

TAPE DIMENSIONS



Dimensions in mm

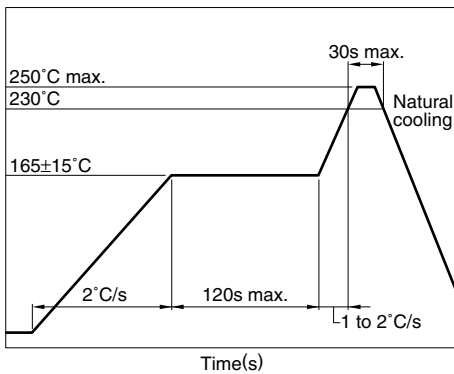
REEL DIMENSIONS



Dimensions in mm

A	B	C	D	E	W	W ₁
ø330+0, -2	ø80±1	ø13±0.2	ø21±0.8	2±0.5	24.4+2, -0	2

RECOMMENDED SOLDERING CONDITION REFLOW SOLDERING



- Temperature is measured at the terminal portion of product (Using thermocoupler for measurement).
- This profile is reference data we recommend. Please check in your actual process.
- For reliable soldering, the thickness of solder paste screen should be over the terminal co-planality.
- The cutted end of terminal has no plating(out of subject of solder ability).

RECOMMENDED CONDITION FOR LONG TERM STORE

The product is packaged by Anti-humid Al bag, in order to keep a good solder ability condition and resistance to soldering heat for products.

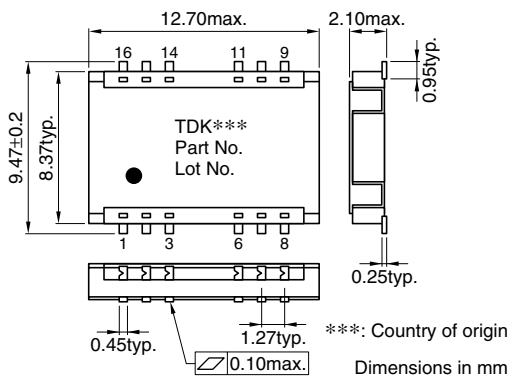
- Shelf life in sealed Anti-humid Al bag: 1year(+5 to +40°C and below 90(%)R.H.)
- After open Anti-humid Al bag, the products should be stored in atmosphere of +5 to +30°C and below 60(%)R.H. and soldered within 1week.

TLA-6T211A(-T) ISO8802.3(IEEE802.3) 10/100/1000BASE-T

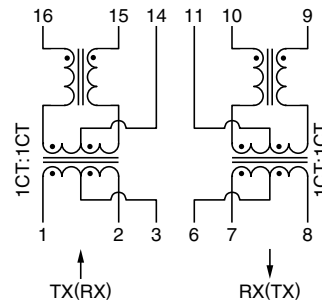
FEATURES

- Lead free product.
- Can be mounted with lead-free solder (250°C max.).
- 16-pin(1.27mm pitch) SMT package.
- The inductance is 350 μ H(100kHz) or greater at a DC bias of 8mA.
- Low profile (H)2.1mm max. for note PC application.
- 2 pulse transformers and 2 common-mode chokes are integrated into 16-pin SMD package.
- Tape and reel packaging are available(TLA-6T211A-T: Tape and reel, TLA-6T211A: Bulk).

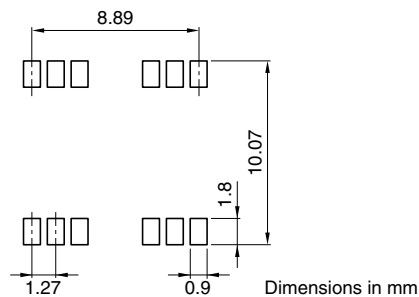
SHAPES AND DIMENSIONS



CIRCUIT DIAGRAM



RECOMMENDED PC BOARD PATTERN



ELECTRICAL CHARACTERISTICS

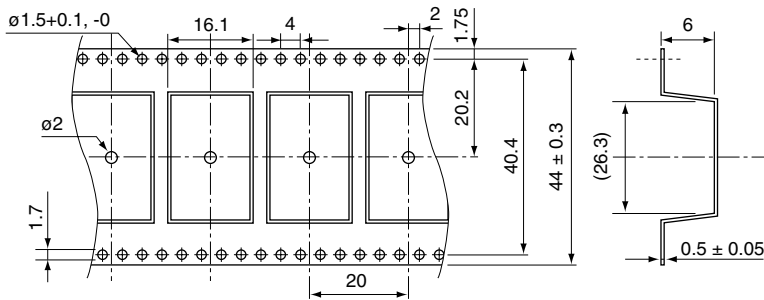
Part No.	Turns ratio	Inductance (μ H)min. [DC bias 8mA, 100kHz]	Insertion loss (dB)max. [0.1 to 125MHz]	Inter-winding stray capacitance (pF)max.[100kHz]
	1,3,2:16,14,15 7,6,8:10,11,9	16-15 10-9	1,2-16,15 10,9-7,8	1,2-16,15 10,9-7,8
TLA-6T211A(-T)	1CT:1CT 1CT:1CT	350 350	1 1	25 25

- $T_a=25^\circ\text{C}$

PACKAGING STYLES

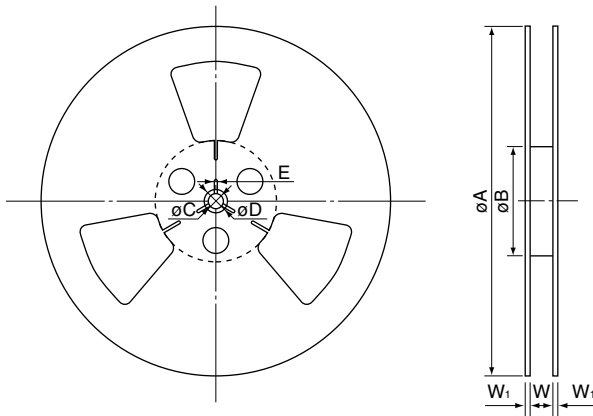
Quantity : 500pieces/reel

TAPE DIMENSIONS



Dimensions in mm

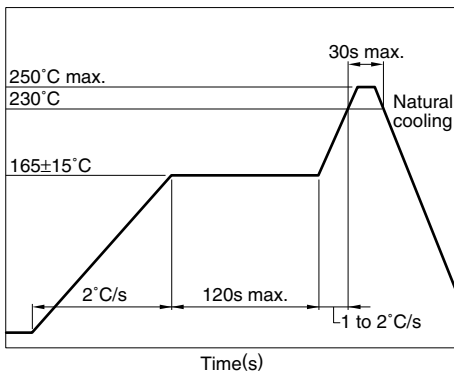
REEL DIMENSIONS



Dimensions in mm

A	B	C	D	E	W	W ₁
$\phi 330 \pm 1$	$\phi 100 \pm 1$	$\phi 13 \pm 0.2$	$\phi 21 \pm 0.8$	2 ± 0.5	$45 + 1.5, -0.5$	2.4

RECOMMENDED SOLDERING CONDITION REFLOW SOLDERING



- Temperature is measured at the terminal portion of product (Using thermocoupler for measurement).
- This profile is reference data we recommend. Please check in your actual process.
- For reliable soldering, the thickness of solder paste screen should be over the terminal co-planality.
- The cutted end of terminal has no plating(out of subject of solder ability).

RECOMMENDED CONDITION FOR LONG TERM STORE

The product is packaged by Anti-humid Al bag, in order to keep a good solder ability condition and resistance to soldering heat for products.

- Shelf life in sealed Anti-humid Al bag: 1 year(+5 to +40°C and below 90(%)R.H.)
- After open Anti-humid Al bag, the products should be stored in atmosphere of +5 to +30°C and below 60(%)R.H. and soldered within 1 week.

TLA-6T406(-T) 10/100BASE-TX

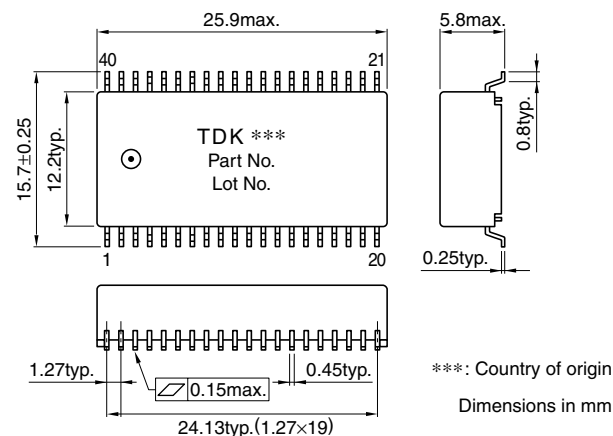
FEATURES

- Lead free product.
- Can be mounted with lead-free solder (250°C max.).
- 40-pin SOP package(1.27mm=50mil pin pitch) for Quad port.
- Excellent common-mode noise suppression.
- Using the high-quality and wide-band ferrite cores for LAN.
- Tape and reel packaging are available(TLA-6T406-T: Tape and reel, TLA-6T406: Bulk).

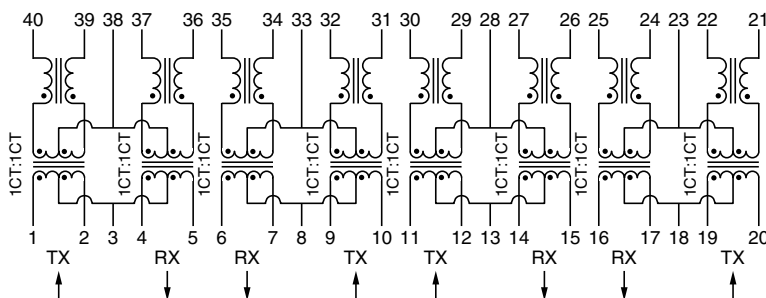
GENERAL SPECIFICATIONS

Pulse transformer		8
Common-mode choke		8
Port		4
Temperature ranges	Operating	0 to +70°C
	Storage	-40 to +85°C
Withstanding voltage		Erms:1500V[60s]

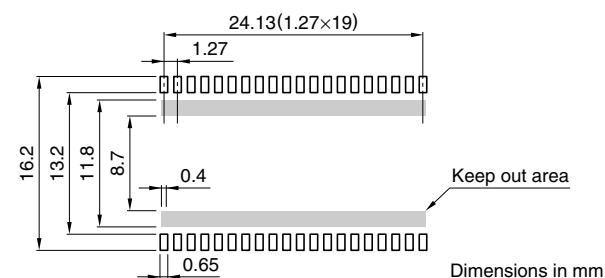
SHAPES AND DIMENSIONS



CIRCUIT DIAGRAM



RECOMMENDED PC BOARD PATTERN



ELECTRICAL CHARACTERISTICS

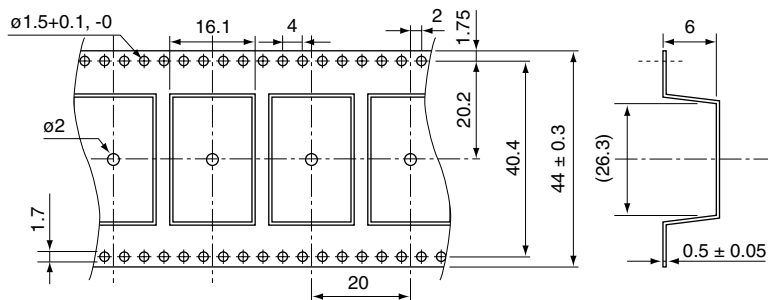
Part No.	Turns ratio	Inductance (μ H)min. [DC bias 8mA, 100kHz]	Insertion loss (dB)max. [0.1 to 100MHz]	Inter-winding stray capacitance (pF)max.[100kHz]
	1,3,2 : 40,38,39,..... 4,3,5 : 37,38,36,.....	40-39,..... 37-36,.....	1,2-40,39,..... 4,5-37,36,.....	1,2-40,39,..... 4,5-37,36,.....
TLA-6T406(-T)	1CT:1CT 1CT:1CT	350 350	1 1	40 40

- Ta=25°C

PACKAGING STYLES

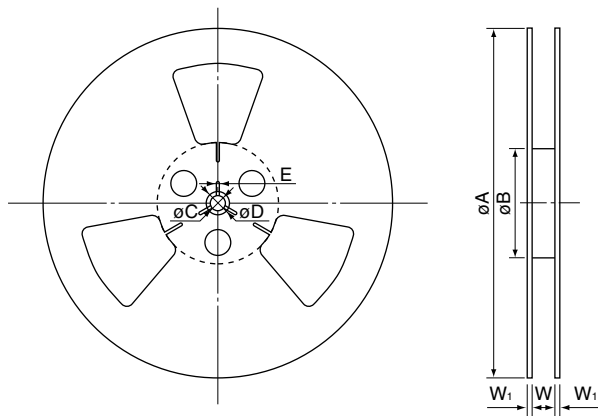
Quantity : 500pieces/reel

TAPE DIMENSIONS



Dimensions in mm

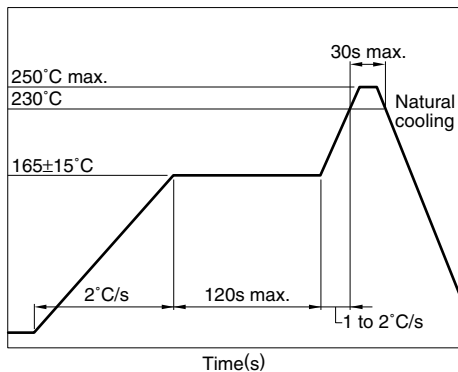
REEL DIMENSIONS



Dimensions in mm

A	B	C	D	E	W	W ₁
ø330±1	ø100±1	ø13±0.2	ø21±0.8	2±0.5	45+1.5, -0.5	2.4

**RECOMMENDED SOLDERING CONDITION
REFLOW SOLDERING**



- Temperature is measured at the terminal portion of product (Using thermocoupler for measurement).
- This profile is reference data we recommend. Please check in your actual process.
- For reliable soldering, the thickness of solder paste screen should be over the terminal co-planality.
- The cutted end of terminal has no plating(out of subject of solder ability).

RECOMMENDED CONDITION FOR LONG TERM STORE

The product is packaged by Anti-humid Al bag, in order to keep a good solder ability condition and resistance to soldering heat for products.

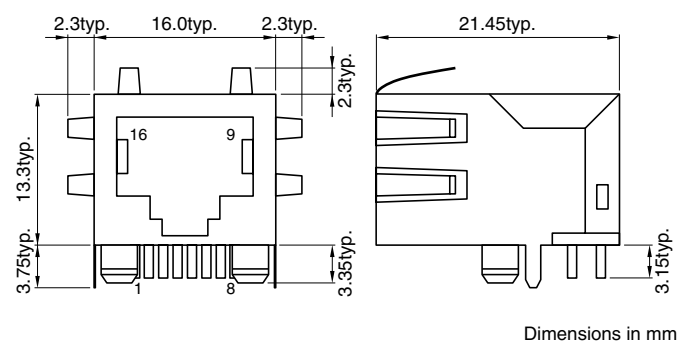
- Shelf life in sealed Anti-humid Al bag: 1year(+5 to +40°C and below 90(%)R.H.)
- After open Anti-humid Al bag, the products should be stored in atmosphere of +5 to +30°C and below 60(%)R.H. and soldered within 1week.

TLA-6T704 10/100BASE-TX

FEATURES

- Lead free product.
- Pulse transformer, common mode choke, resistor and high voltage capacitor are integrated into RJ-45 modular jack.
- Excellent common mode noise suppression.
- The inductance is 350 μ H(100kHz) or greater at a DC bias of 8mA.

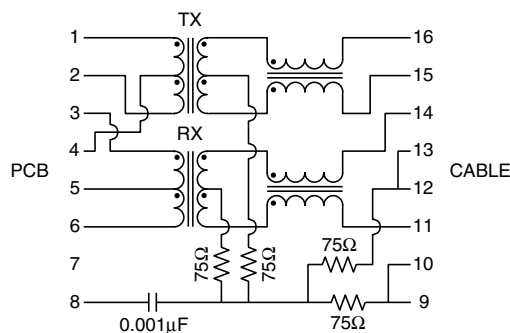
SHAPES AND DIMENSIONS



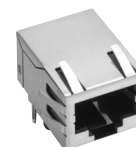
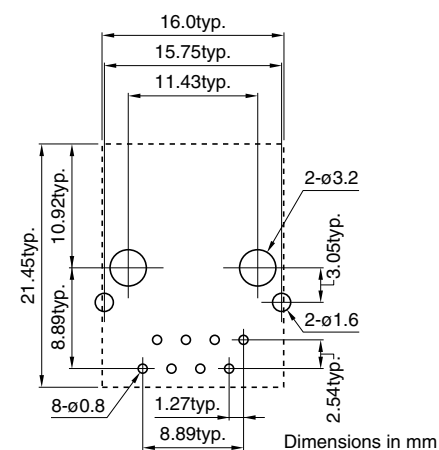
GENERAL SPECIFICATIONS

Pulse transformer		2
Common-mode choke		2
Port		1
Temperature ranges	Operating	0 to +70°C
	Storage	-40 to +85°C
Withstanding voltage		Erms:1500V[60s]

CIRCUIT DIAGRAM



RECOMMENDED PC BOARD PATTERN



ELECTRICAL CHARACTERISTICS

Part No.	Turns ratio	Inductance (μ H)min. [DC bias 8mA, 100kHz]	Insertion loss (dB)max. [0.1 to 100MHz]
	1,4,2 : 16,15 3,5,6 : 14,11	16-15 14-11	1,2-16,15 14,11-3,6
TLA-6T704	1CT:1 1CT:1	350 350	1 1

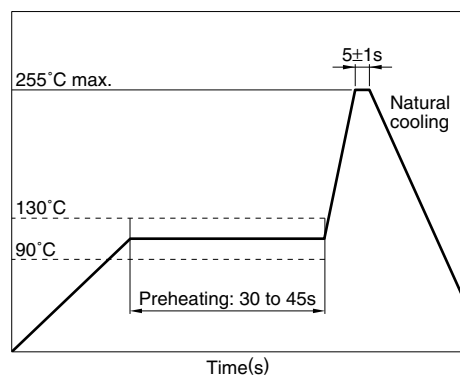
- Ta=25°C

PACKAGING STYLES

Magazine : 24 pieces/stick

RECOMMENDED SOLDERING CONDITION

FLOW SOLDERING



Preheating: 90 to 130°C for 30 to 45 seconds.

Soldering: 255°C max. 5±1 seconds

- Perform flow soldering from the underside of the board.
- The surface of plastic protrusions inserted into the board may melt, but this causes no problems with regard to electrical properties or mounting.
- The cutted end of terminal has no plating(out of subject of solder ability).

RECOMMENDED CONDITION FOR LONG TERM STORE

Recommended shelf life is 1 year in atmosphere of +5 to +30°C and below 60(%)R.H.

LC MODULES

TLA-3M103LF(-T) ISO8802.3(IEEE802.3) 10BASE-T

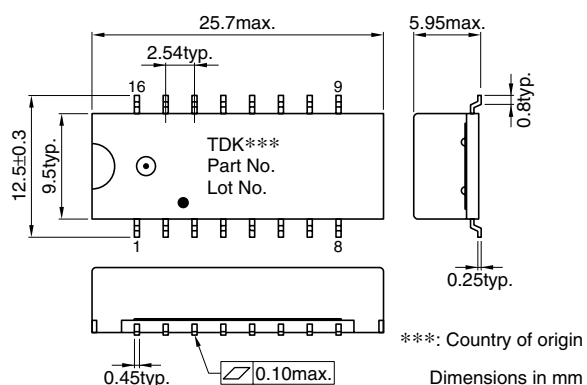
FEATURES

- Lead free product.
- Can be mounted with lead-free solder (250°C max.).
- 16-pin SOP package (2.54mm=100mil pin pitch).
- Pulse transformer(Turns ratio TX=1CT:1CT, RX=1CT:1CT), common-mode choke and low pass filter are integrated into 16-pin SOP package.
- Excellent C.M.R.R. and filtering for EMI.
- Tape and reel packaging are available(TLA-3M103LF-T: Tape and reel, TLA-3M103LF: Bulk).

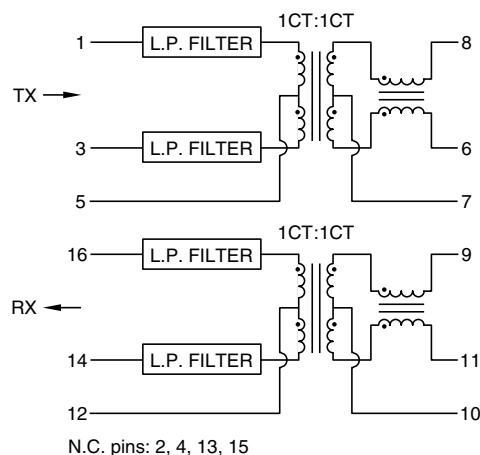
GENERAL SPECIFICATIONS

Low pass filter		2
Pulse transformer		2
Common-mode choke		2
Port		1
Temperature ranges	Operating	0 to +70°C
	Storage	-40 to +85°C
Withstanding voltage		Erms:1500V[60s]

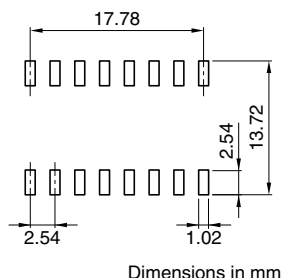
SHAPES AND DIMENSIONS



CIRCUIT DIAGRAM



RECOMMENDED PC BOARD PATTERN



ELECTRICAL CHARACTERISTICS

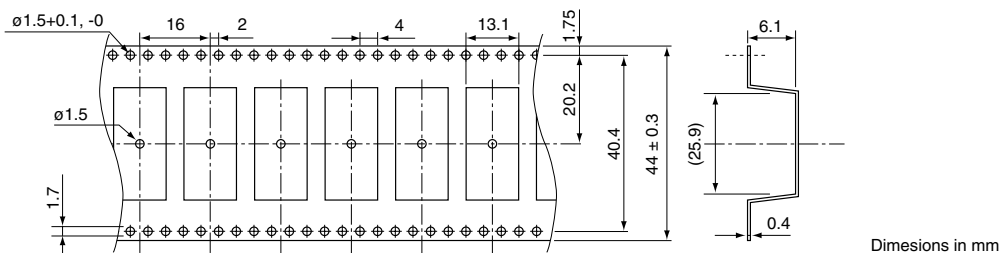
Part No.	Insertion loss (dB)max.[5 to 10MHz]	Attenuation (dB)min.[30 to 100MHz]	Impedance (Ω)typ.[5 to 10MHz]	C.M.R.R. (dB)min.[1 to 100MHz]
	1,3-8,6	1,3-8,6	1-3, 8-6	1,3-8,6
	9,11-16,14	9,11-16,14	16-14, 9-11	16,14-9,11
TLA-3M103LF(-T)	1	25	100, 100	25
	1	25	100, 100	25

• Ta=25°C

PACKAGING STYLES

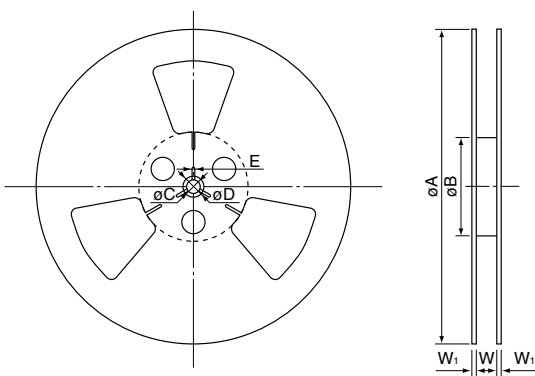
Quantity : 600pieces/reel

TAPE DIMENSIONS



Dimensions in mm

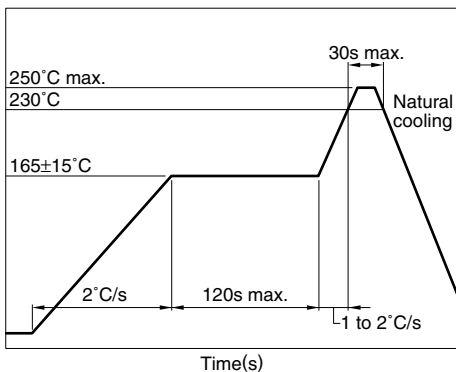
REEL DIMENSIONS



Dimensions in mm

A	B	C	D	E	W	W ₁
$\phi 330+0, -2$	$\phi 100 \pm 1$	$\phi 13 \pm 0.2$	$\phi 21 \pm 0.8$	2 ± 0.5	$44.4+2, -0$	2

RECOMMENDED SOLDERING CONDITION
REFLOW SOLDERING



- Temperature is measured at the terminal portion of product (Using thermocoupler for measurement).
- This profile is reference data we recommend. Please check in your actual process.
- For reliable soldering, the thickness of solder paste screen should be over the terminal co-planality.
- The cutted end of terminal has no plating(out of subject of solder ability).

RECOMMENDED CONDITION FOR LONG TERM STORE

Recommended shelf life is 1year in atmosphere of +5 to +30°C and below 60(%)R.H.

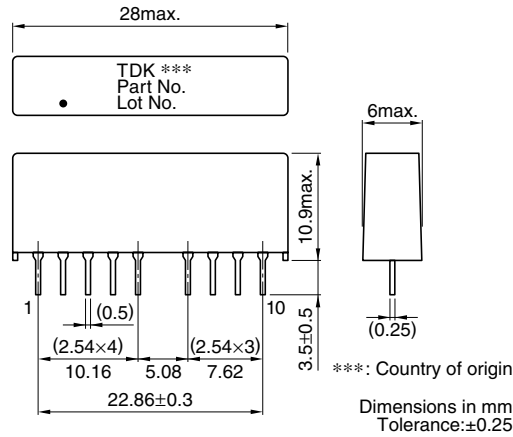
• All specifications are subject to change without notice.

TLA-3M601-RS ISO8802.3(IEEE802.3) 10BASE-T

FEATURES

- Lead free product.
- Can be mounted with lead-free solder (250°C max.).
- 10-pin(2.54mm pitch) SIP package.
- Pulse transformer(Turns ratio TX=1:1, RX=1:1), common-mode choke and low pass filter are integrated into 10-pin SIP package.
- Excellent C.M.R.R. and filtering for EMI.
- Thin(t=6mm max.) and low profile(H=10.9mm max.).

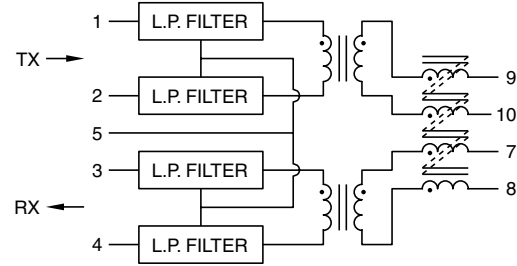
SHAPES AND DIMENSIONS



GENERAL SPECIFICATIONS

Low pass filter		2
Pulse transformer		2
Common-mode choke		1
Port		1
Temperature ranges	Operating	0 to +70°C
	Storage	-40 to +85°C
Withstanding voltage		Erms: 1500V[60s]

CIRCUIT DIAGRAM



ELECTRICAL CHARACTERISTICS

Part No.	Insertion loss (dB)max.[5 to 10MHz]	Attenuation (dB)min.[30 to 100MHz]	Impedance (Ω)typ.[5 to 10MHz]	C.M.R.R. (dB)min.[30 to 100MHz]
	1,2-9,10	1,2-9,10	1-2,9-10	1,2-9,10
	7,8-3,4	7,8-3,4	3-4,7-8	3,4-7,8
TLA-3M601-RS	1	25	100, 100	30
	1	25	100, 100	30

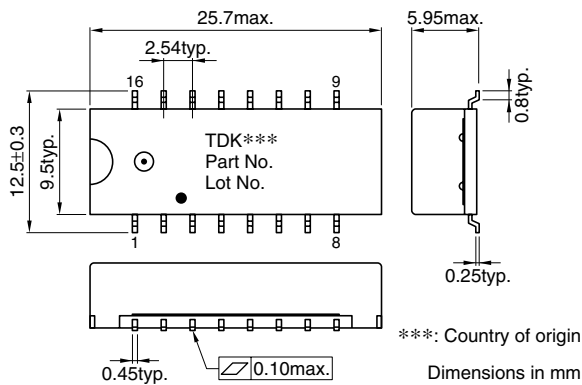
- Ta=25°C

TLA-6M102LF(-T) ATM25

FEATURES

- Lead free product.
- Can be mounted with lead-free solder (250°C max.).
- 16-pin SOP package (2.54mm=100mil pin pitch).
- Pulse transformers, common-mode chokes, low pass filter and surge protector are integrated into 16-pin SMD package.
- Supports UTP 100Ω transmission cable.
- Tape and reel packaging are available(TLA-6M102LF-T: Tape and reel, TLA-6M102LF: Bulk).

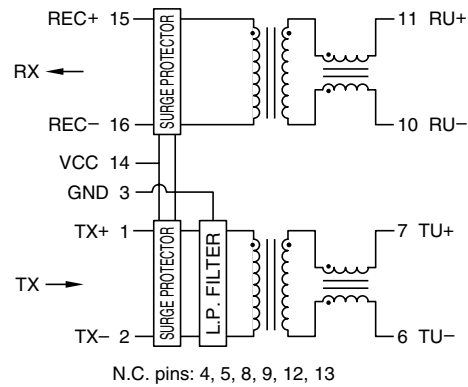
SHAPES AND DIMENSIONS



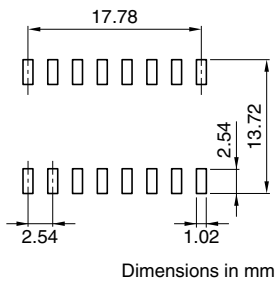
GENERAL SPECIFICATIONS

Low pass filter		1
Pulse transformer		2
Common-mode choke		2
Port		1
Temperature ranges	Operating	0 to +70°C
	Storage	-40 to +85°C
Withstanding voltage		Erms:500V[60s]

CIRCUIT DIAGRAM



RECOMMENDED PC BOARD PATTERN



ELECTRICAL CHARACTERISTICS

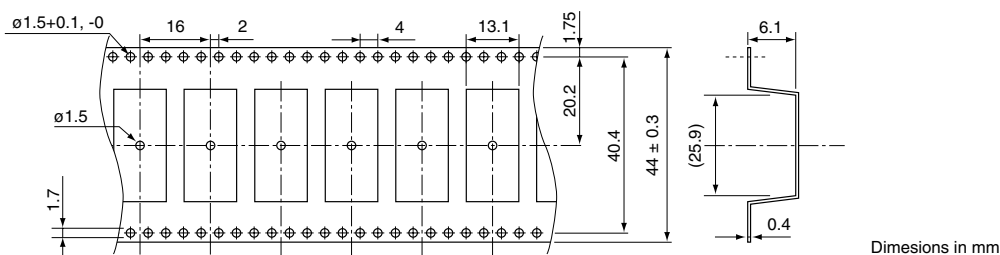
Part No.	Insertion loss (dB)max.		Attenuation (dB)min.
	[0.1 to 17MHz]	[17 to 25MHz]	[50 to 100MHz]
	1,2-7,6	1,2-7,6	1,2-7,6
	11,10-15,16	11,10-15,16	11,10-15,16
TLA-6M102LF(-T)	1.5	3	18
	1.5	1.5	—

- Ta=25°C

PACKAGING STYLES

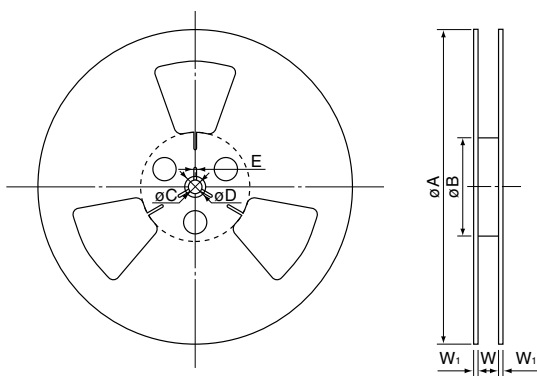
Quantity : 600pieces/reel

TAPE DIMENSIONS



Dimensions in mm

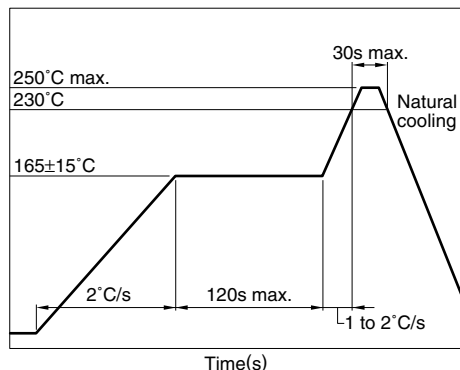
REEL DIMENSIONS



Dimensions in mm

A	B	C	D	E	W	W ₁
$\phi 330+0, -2$	$\phi 100 \pm 1$	$\phi 13 \pm 0.2$	$\phi 21 \pm 0.8$	2 ± 0.5	$44.4+2, -0$	2

RECOMMENDED SOLDERING CONDITION REFLOW SOLDERING



- Temperature is measured at the terminal portion of product (Using thermocoupler for measurement).
- This profile is reference data we recommend. Please check in your actual process.
- For reliable soldering, the thickness of solder paste screen should be over the terminal co-planality.
- The cutted end of terminal has no plating(out of subject of solder ability).

RECOMMENDED CONDITION FOR LONG TERM STORE

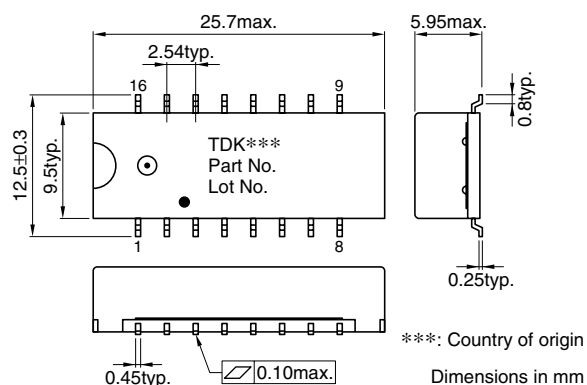
Recommended shelf life is 1year in atmosphere of +5 to +30°C and below 60(%)R.H.

TLA-6M103LF(-T) ATM25

FEATURES

- Lead free product.
- Can be mounted with lead-free solder (250°C max.).
- 16-pin SOP package (2.54mm=100mil pin pitch).
- Pulse transformers, common-mode chokes and low pass filter are integrated into 16-pin SMD package.
- Supports STP 150Ω or UTP 100Ω transmission cable.
- Tape and reel packaging are available(TLA-6M103LF-T: Tape and reel, TLA-6M103LF: Bulk).

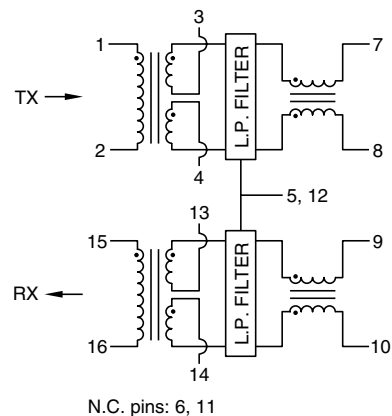
SHAPES AND DIMENSIONS



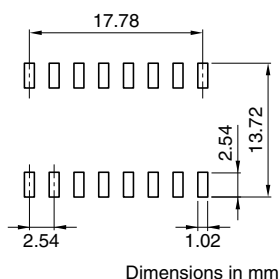
GENERAL SPECIFICATIONS

Low pass filter		2
Pulse transformer		2
Common-mode choke		2
Port		1
Temperature ranges	Operating	0 to +70°C
	Storage	-40 to +85°C
Withstanding voltage		Erms:500V[60s]

CIRCUIT DIAGRAM



RECOMMENDED PC BOARD PATTERN



ELECTRICAL CHARACTERISTICS

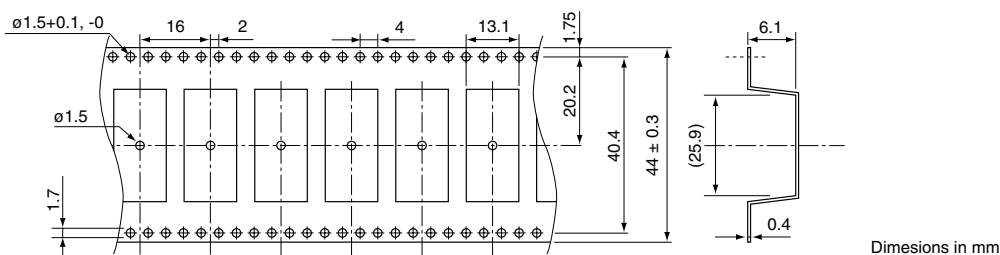
Part No.	Insertion loss (dB)max.			Attenuation (dB)min.
	[12kHz]	[16MHz]	[24MHz]	[50 to 100MHz]
	1,2-7,8	1,2-7,8	1,2-7,8	1,2-7,8
	9,10-15,16	9,10-15,16	9,10-15,16	9,10-15,16
TLA-6M103LF(-T)	3	1	1.8	20
	3	1	1.8	20

- Ta=25°C

PACKAGING STYLES

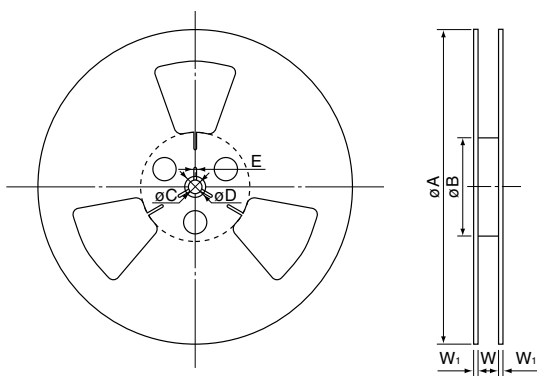
Quantity : 600pieces/reel

TAPE DIMENSIONS



Dimensions in mm

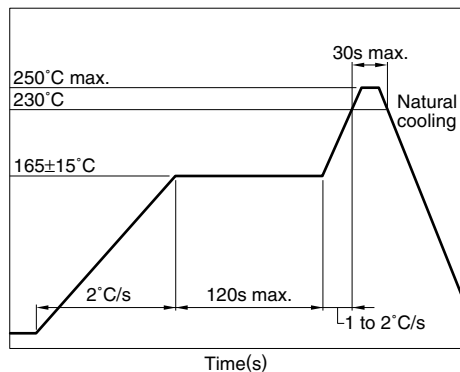
REEL DIMENSIONS



Dimensions in mm

A	B	C	D	E	W	W ₁
$\phi 330+0, -2$	$\phi 100 \pm 1$	$\phi 13 \pm 0.2$	$\phi 21 \pm 0.8$	2 ± 0.5	$44.4+2, -0$	2

RECOMMENDED SOLDERING CONDITION REFLOW SOLDERING



- Temperature is measured at the terminal portion of product (Using thermocoupler for measurement).
- This profile is reference data we recommend. Please check in your actual process.
- For reliable soldering, the thickness of solder paste screen should be over the terminal co-planality.
- The cutted end of terminal has no plating(out of subject of solder ability).

RECOMMENDED CONDITION FOR LONG TERM STORE

Recommended shelf life is 1year in atmosphere of +5 to +30°C and below 60(%)R.H.

TDK LAN Related Products

Comparative Information

COMPARATIVE INFORMATION

COMPARISON OF SPECIFICATION CHANGES FOR TLA-3TXXX/TLA-3TXXXLF, TLA-6TXXX/TLA-6TXXXLF

These figures show the specifications that have been changed in the new lead-free products listed below.

MODELS TO WHICH THESE FIGURES APPLY

TLA-3TXXXLF		TLA-6TXXXLF	
Previous product	Lead-free product	Previous product	Lead-free product
TLA-3T101	TLA-3T101LF	TLA-6T118	TLA-6T118LF
TLA-3T105	TLA-3T105LF	TLA-6T119	TLA-6T119LF
TLA-3T106	TLA-3T106LF	TLA-6T120	TLA-6T120LF
TLA-3T107	TLA-3T107LF	TLA-6T121	TLA-6T120LF
TLA-3T109	TLA-3T109LF	TLA-6T122	TLA-6T122LF
TLA-3T110	TLA-3T110LF	TLA-6T127	TLA-6T127LF
TLA-3T112	TLA-3T112LF		

- None of the circuit diagrams or electrical characteristics of these products have been changed.
- Please refer to the product catalog for circuit diagrams or electrical characteristics of these products.

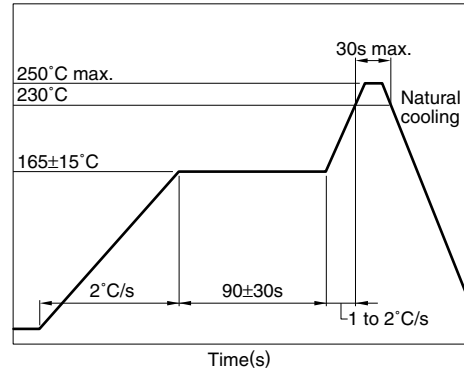
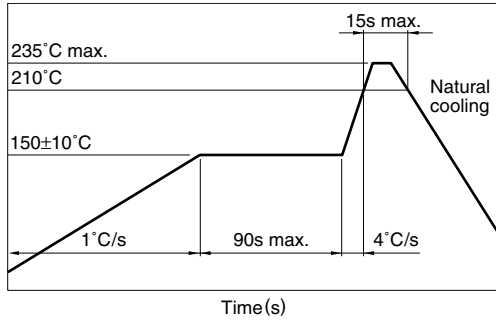
Items	TLA-3TXXX/TLA-6TXXX	TLA-3TXXXLF/TLA-6TXXXLF(Lead-free product)																														
Shapes and dimensions	<p>***: Country of origin Dimensions in mm</p>	<p>***: Country of origin Dimensions in mm</p>																														
Components	<table border="1"> <thead> <tr> <th>Component name</th> <th>Specifications</th> </tr> </thead> <tbody> <tr> <td>Core</td> <td>Ferrite core</td> </tr> <tr> <td>Wire</td> <td>Copper wire with polyurethane coating</td> </tr> <tr> <td>Case</td> <td>Plastic</td> </tr> <tr> <td>Terminal</td> <td>Phosphor bronze/solder plated</td> </tr> <tr> <td>Casting resin</td> <td>Epoxy resin</td> </tr> <tr> <td>Buffer resin</td> <td>Silicone resin</td> </tr> <tr> <td>Solder</td> <td>Pb high temperature solder</td> </tr> </tbody> </table>	Component name	Specifications	Core	Ferrite core	Wire	Copper wire with polyurethane coating	Case	Plastic	Terminal	Phosphor bronze/solder plated	Casting resin	Epoxy resin	Buffer resin	Silicone resin	Solder	Pb high temperature solder	<table border="1"> <thead> <tr> <th>Component name</th> <th>Specifications</th> </tr> </thead> <tbody> <tr> <td>Core</td> <td>Ferrite core</td> </tr> <tr> <td>Wire</td> <td>Copper wire with polyurethane coating</td> </tr> <tr> <td>Case</td> <td>Plastic</td> </tr> <tr> <td>Terminal</td> <td>Phosphor bronze/Sn plated</td> </tr> <tr> <td>Casting resin</td> <td>Epoxy resin</td> </tr> <tr> <td>Solder</td> <td>Sn lead-free solder</td> </tr> </tbody> </table>	Component name	Specifications	Core	Ferrite core	Wire	Copper wire with polyurethane coating	Case	Plastic	Terminal	Phosphor bronze/Sn plated	Casting resin	Epoxy resin	Solder	Sn lead-free solder
Component name	Specifications																															
Core	Ferrite core																															
Wire	Copper wire with polyurethane coating																															
Case	Plastic																															
Terminal	Phosphor bronze/solder plated																															
Casting resin	Epoxy resin																															
Buffer resin	Silicone resin																															
Solder	Pb high temperature solder																															
Component name	Specifications																															
Core	Ferrite core																															
Wire	Copper wire with polyurethane coating																															
Case	Plastic																															
Terminal	Phosphor bronze/Sn plated																															
Casting resin	Epoxy resin																															
Solder	Sn lead-free solder																															
Recommended PC board pattern	<p>Dimensions in mm</p>	<p>Dimensions in mm</p>																														

• All specifications are subject to change without notice.

TLA-3TXXX/TLA-6TXXX

TLA-3TXXXLF/TLA-6TXXXLF(Lead-free product)

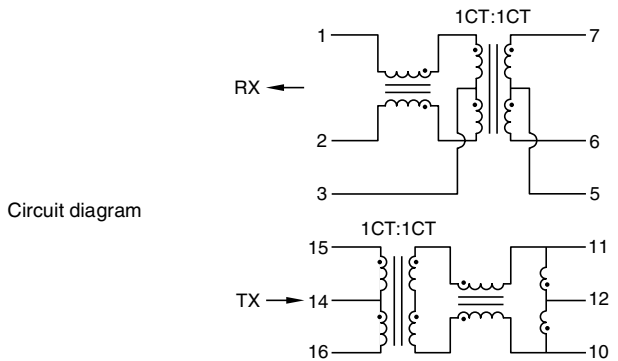
Recommended soldering condition



COMPARISON OF SPECIFICATION CHANGES FOR TLA-6T103/TLA-6T103LF

Items	TLA-6T103	TLA-6T103LF
Shapes and dimensions	<p>***: Country of origin Dimensions in mm</p>	<p>***: Country of origin Dimensions in mm</p>

Components	Component name	Specifications	Component name	Specifications
	Core	Ferrite core	Core	Ferrite core
Wire	Copper wire with polyurethane coating	Wire	Copper wire with polyurethane coating	
Board	Glass epoxy	Terminals	Phosphor bronze/Sn plated	
Terminals	Phosphor bronze/solder plated	Case	Liquid crystal polymer	
Molding resin	Epoxy resin	Casting resin	Soft epoxy	
Buffer material	Silicone resin	Solder	Sn lead-free solder	
Solder	Pb high temperature solder			



- There have been no changes to the circuit.

Electrical characteristics	Item	Standard	Conditions
	Winding ratio		1CT:1CT(±5%)
		1CT:1CT(±5%)	Rx 7,5,6:1,3,2
Inductance		350μH min.	Tx 10-11
		350μH min.	Rx 7-6
Insertion loss		1.0dB max.	Tx 15,16:11,10
		1.0dB max.	Rx 7,6:1,2
Line capacity		25pF max.	Tx 15,14,16:11,12,10
		25pF max.	Rx 7,5,6:1,3,2
Withstand voltage Erms	AC.1500V	1,2,3,14,15,16-5,6,7,10,11,12	f=100kHz V=100mV[DC BIAS 8mA] [0.1 to 100MHz] f=100kHz V=100mV [50Hz, 1min]

- Standards are shown in absolute values.

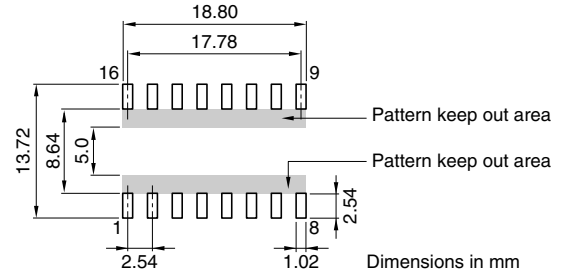
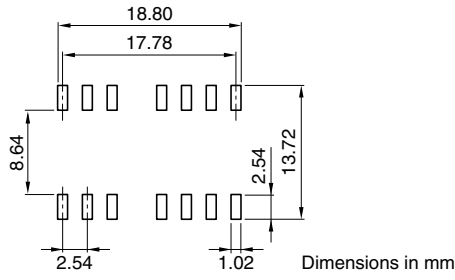
Temperature and humidity ranges	Item	Standard	Conditions
	Operating temperature range	0 to +70°C	
Temperature range for storage	-40 to +85°C		
Operating humidity range	90(%)RH max.		[Maximum wet-bulb temperature38°C]
Humidity range for storage	90(%)RH max.		[Maximum wet-bulb temperature38°C]

- Standards are shown in absolute values.

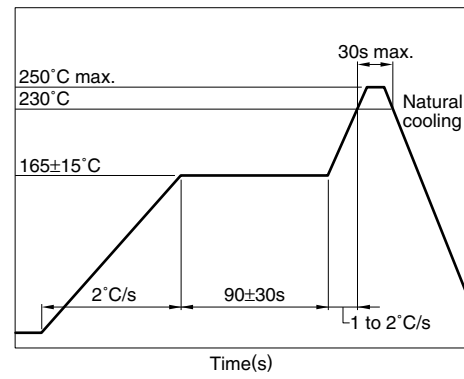
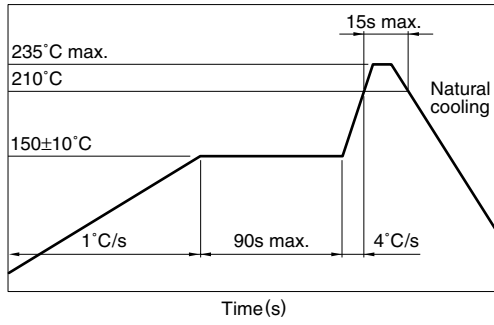
TLA-6T103

TLA-6T103LF

Recommended PC board pattern



Recommended soldering condition

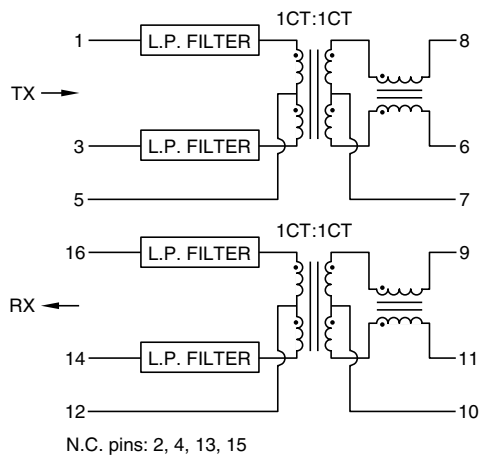


COMPARISON OF SPECIFICATION CHANGES FOR TLA-3M103/TLA-3M103LF

Items	TLA-3M103	TLA-3M103LF
Shapes and dimensions	<p>***: Country of origin Dimensions in mm</p>	<p>***: Country of origin Dimensions in mm</p>

Components	Component name	Specifications	Component name	Specifications
	Transformers	TDK pulse transformers	Transformers	TDK pulse transformers
Common mode choke coils	TDK common mode choke coils	Common mode choke coils	TDK common mode choke coils	
Inductors (coils)	TDK coils	Inductors (coils)	TDK coils	
Ceramic capacitors	Ceramic chip capacitors	Ceramic capacitors	Ceramic chip capacitors	
Terminals	Phosphor bronze/solder plated	Lead frame	Phosphor bronze/Sn plated	
Covering resin	Epoxy resin	Base	Plastics	
Buffer material	Silicone resin or equivalent	Case	Plastics	
Solder	Pb solder	Resin	Epoxy resin	
Board	Glass epoxy or equivalent	Solder	Lead-free solder	
		Board	Glass epoxy	

Circuit diagram



- There have been no changes to the circuit.

Electrical characteristics

Item	Standard	Conditions
Insertion loss	1.0dB max.	[5 to 10MHz]
Attenuation	25.0dB min.	[30 to 100MHz]
C.M.R.R.	25.0dB min.	[1 to 100MHz]
Impedance	100Ω typ.	[5 to 10MHz]
Withstanding voltage	AC.1500V	1, 3, 5, 12, 14, 16-6, 7, 8, 9, 10 [50Hz, 1min]

- There have been no changes to the electrical characteristics.

Temperature and humidity ranges

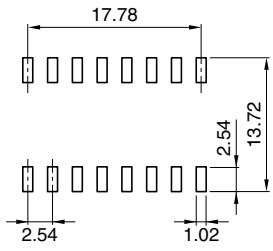
Item	Standard	Conditions
Operating temperature range	0 to +70°C	
Temperature range for storage	-40 to +85°C	
Operating humidity range	90(%)RH max.	[Maximum wet-bulb temperature38°C]
Humidity range for storage	90(%)RH max.	[Maximum wet-bulb temperature38°C]

- There have been no changes to the temperature and humidity range.

TLA-3M103

TLA-3M103LF

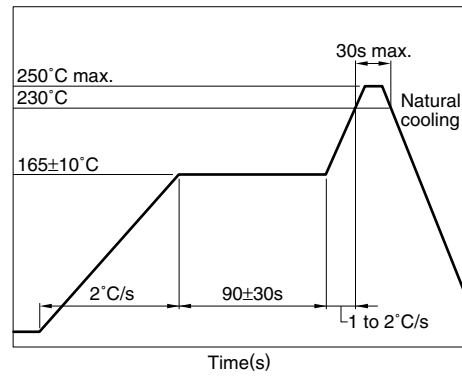
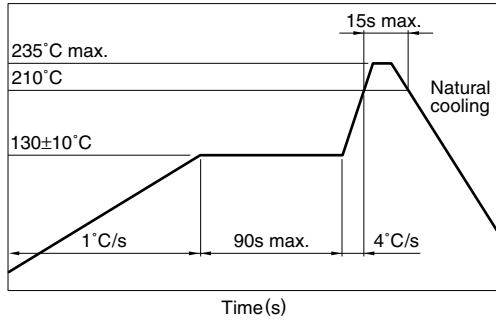
Recommended PC board pattern



Dimensions in mm

- There have been no changes to the recommended PC board pattern.

Recommended soldering condition



IC Cross Reference

IC manufacturer	Interface	IC part No.	Ports	Turns ratio		TDK part No.			
				TX	RX	Single	Single(Low profile)	Quad	RJ45
TDK	10/100BASE-TX	78Q2120	1	1 : 1	1 : 1	TLA-6T103LF	TLA-6T207C		TLA-6T704
		78Q2123	1	1 : 1	1 : 1	TLA-6T118LF	TLA-6T211A		TLA-6T704
ADMtek	10/100BASE-TX	ADM7001	1						
		AN983B	1						
		AN985B	1						
		ADM9511	1	1 : 1	1 : 1	TLA-6T103LF	TLA-6T207C		TLA-6T704
		ADM9513	1			TLA-6T118LF	TLA-6T211A		
		ADM8511	1						
		ADM8513	1						
		ADM6995	5						
		ADM6996	5						
		ADM6999	8	1 : 1	1 : 1	TLA-6T118LF	TLA-6T211A	TLA-6T406	TLA-6T704
AMD	10/100BASE-TX	Am79C874	1	1 : 1	1 : 1	TLA-6T103LF	TLA-6T207C	TLA-6T404	TLA-6T704
		Am79C875	4	1.25 : 1	1 : 1	TLA-6T118LF	TLA-6T211A	TLA-6T406	
		Am79C973	1			TLA-6T122LF			
		Am79C975	1	1 : 1.41	1 : 1	(For Power Down Application)			
		Am79C975	1			TLA-6T121LF			
Broadcom	10/100BASE-TX	AC101	1						
		BCM5221	1						
		BCM5222	2						
		AC104	4						
		BCM5208	4						
		BCM5208R	4						
		AC205	5	1 : 1	1 : 1	TLA-6T118LF	TLA-6T211A	TLA-6T406	TLA-6T704
		AC206	5						
		BCM5226	6						
		AC207	8						
		AC208	8						
		BCM5238	8						
		BCM5228	8						
CIRRUS LOGIC	10BASE-T	CS8900A(5V)	1	1 : 1.41	1 : 1	TLA-3T110LF			
		CS8900A(3.3V)	1	1 : 2.5	1 : 1	TLA-3T112LF			
CIRRUS LOGIC	10/100BASE-TX	CS8952	1	1 : 1	1 : 1	TLA-6T103LF	TLA-6T207C		TLA-6T704
		CS8952T	1			TLA-6T118LF	TLA-6T211A		
DAVICOM	10BASE-T	DM9008	1						
		DM9009	1			TLA-3M103LF			
		DM9081	8	1 : 1	1 : 1	TLA-3M601-RS			
		DM9095	1						
		DM9000	1						
DAVICOM	10/100BASE-TX	DM9601	1	1 : 1	1 : 1	TLA-6T103LF	TLA-6T207C		TLA-6T704
		DM9161E	1			TLA-6T118LF	TLA-6T211A		
		DM9331	1						
		DM9301	1	1.25 : 1	1 : 1	TLA-6T122LF			
		DM9102A	1			(For Power Down Application)			
Fujitsu	10BASE-T	MB86961A	1	1 : 1.41	1 : 1	TLA-3T110LF			
		MB86967	1	1 : 1	1 : 1	TLA-3M103LF			
ICS	10/100BASE-TX	ICS1892	1						
		ICS1893	1	1 : 1	1 : 1	TLA-6T103LF	TLA-6T207C		TLA-6T704
		ICS1893AF	1			TLA-6T118LF	TLA-6T211A		
		ICS1893BF	1	1 : 1	1 : 1	TLA-6T118LF	TLA-6T211A		TLA-6T704
IDT	ATM25	IDT77105	1						
		IDT77V126	1						
		IDT77V107	1						
		IDT77V106	1	1 : 1	1 : 1	TLA-6M103LF			
		IDT77V1264	4						
		IDT77V1253	3						
IDT77V1254	4								

IC manufacturer	Interface	IC part No.	Ports	Turns ratio		TDK part No.				
				TX	RX	Single	Single(Low profile)	Quad	RJ45	
Intel (Level One)	10BASE-T	LXT901	1							
		LXT901A	1	1 : 1.41	1 : 1	TLA-3T110LF				
		LXT907	1							
		LXT907A	1							
			LXT905	1	1 : 2	1 : 1	TLA-3T109LF			
			LXT908	1						
			82550	1						
			82551	1						
			82559	1						
		10/100BASE-TX	82562	1	1 : 1	1 : 1	TLA-6T103LF	TLA-6T207C		TLA-6T704
			LXT970A	1			TLA-6T118LF	TLA-6T211A		
			LXT971A	1						
			LXT972A	1						
			LXT973	2	1 : 1	1 : 1	TLA-6T118LF	TLA-6T211A		TLA-6T704
	LXT974		4	2 : 1	1 : 1	TLA-6T120LF				
		LXT975	4							
		LXT9785	8	1 : 1	1 : 1	TLA-6T118LF	TLA-6T211A	TLA-6T406	TLA-6T704	
LSI Logic		L80223	1							
		L80225	1	1 : 1	1 : 1	TLA-6T103LF	TLA-6T207C		TLA-6T704	
		L80227	1			TLA-6T118LF	TLA-6T211A			
		L84220	4	1 : 1	1 : 1	TLA-6T103LF	TLA-6T207C	TLA-6T404	TLA-6T704	
		L84225	4			TLA-6T118LF	TLA-6T211A	TLA-6T406		
MICREL (Kendin)	10/100BASE-TX	KS8737	1							
		KS8721B	1							
		KS8993	3	1 : 1	1 : 1	TLA-6T118LF	TLA-6T211A	TLA-6T406	TLA-6T704	
		KS8995	5							
		KS8997	8							
		KS8999	9							
Micro Linear	10/100BASE-TX	ML6651	1	1 : 1	1 : 1	TLA-6T118LF	TLA-6T211A		TLA-6T704	
		ML6652	1							
National Semiconductor	10BASE-T	DP83902A	1							
		DP83905	1							
		DP83907	1	1 : 1	1 : 1	TLA-3M103LF				
		DP83934	1			TLA-3M601-RS				
		DP83936AVUL	1							
		DP83950B	12							
			DP83924B	4	1 : 2	1 : 1	TLA-3T109LF			
		10/100BASE-TX	DP83223	1						
			DP83840A	1						
			DP83843	1						
			DP83846A	1	1 : 1	1 : 1	TLA-6T103LF	TLA-6T207C		TLA-6T704
			DP83847	1			TLA-6T118LF	TLA-6T211A		
	DP83815		1							
		DP83816	1							
NEC	ATM25	μPD98408	6	1 : 1.52	1.36 : 1	TLA-6M102LF				
	10BASE-T	RTL8019AS	1	1 : 1	1 : 1	TLA-3M103LF				
		RTL8029AS	1			TLA-3M601-RS				
Realtek	10/100BASE-TX	RTL8100B	1							
		RTL8100C	1							
		RTL8101L	1							
		RTL8139C	1	1 : 1	1 : 1	TLA-6T103LF	TLA-6T207C		TLA-6T704	
		RTL8139D	1			TLA-6T118LF	TLA-6T211A			
		RTL8150L	1							
		RTL8201BL	1							
		RTL8201L	1							
		RTL8204	4	1 : 1	1 : 1	TLA-6T103LF	TLA-6T207C	TLA-6T404	TLA-6T704	
		RTL8208	8			TLA-6T118LF	TLA-6T211A	TLA-6T406		
SMSC	10BASE-T	LAN91C96	1	1 : 1	1 : 1	TLA-3M103LF				
		LAN91C961	1			TLA-3M601-RS				
	10/100BASE-TX	LAN83C180	1							
		LAN83C183	1	1 : 1	1 : 1	TLA-6T103LF	TLA-6T207C		TLA-6T704	
		LAN91C111	1			TLA-6T118LF	TLA-6T211A			